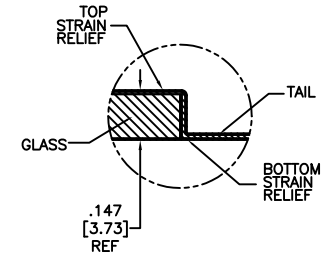
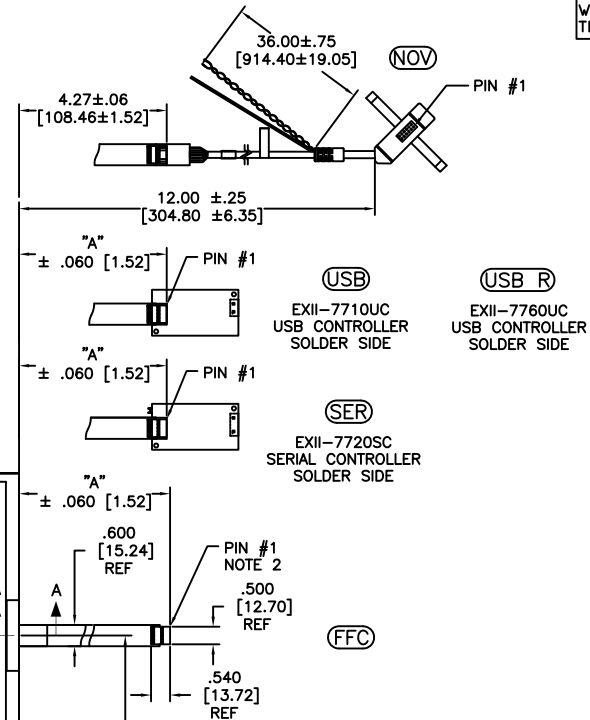


OGA DIAGONAL: 23.09 [586.4]
 VA DIAGONAL: 22.37 [568.2]
 PA DIAGONAL: 21.08 [535.5]

THIS PRODUCT IS MANUFACTURED IN ACCORDANCE WITH THE CURRENT CLEARTEK II CAPACITIVE TOUCH SCREEN SPECIFICATION (DOCUMENT 23655)

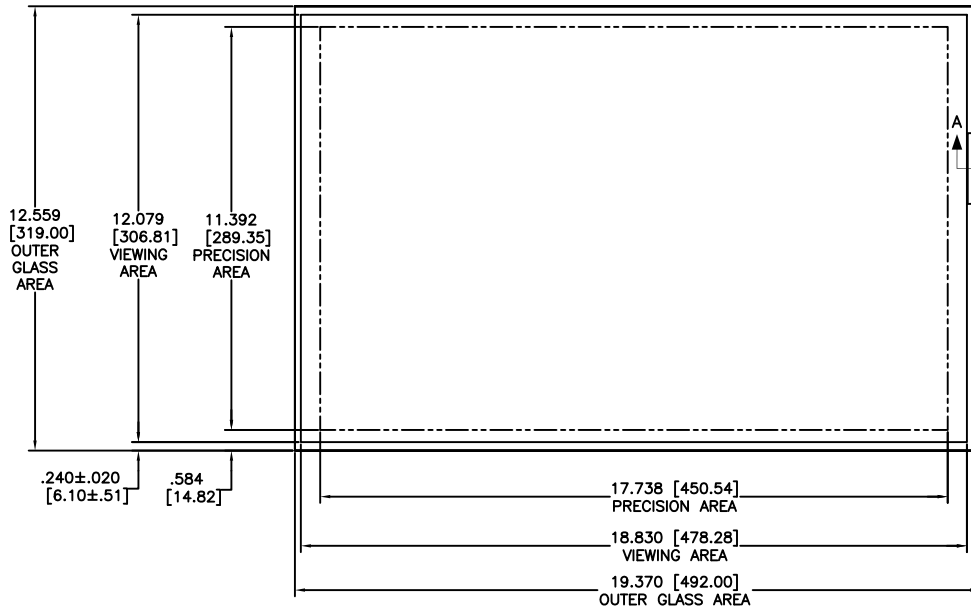


ESD CLAMSHELL CASE IS USED WITH ALL NOV, USB AND SER TERMINATIONS.



SECTION A-A
 SCALE: NONE

PINOUT	
1	UL
2	UR
3	SHLD
4	LR
5	LL



TOP LEVEL NUMBER	TYPE	DIM "A" (TOTAL GLASS TO CONNECTOR)	A/G FINISH
17-9311-205	FFC	8.00" [203.20]	AG500
17-9311-206	NOV	SEE DWG	AG500
17-9311-225	USB	8.00" [203.20]	AG500
17-9311-227	SER	8.00" [203.20]	AG500
17-9311-226	USB R	8.00" [203.20]	AG500

.147±.020 [3.73±.51]
 TOTAL THICKNESS OF GLASS, CABLE AND STRAIN RELIEF

NOTES:

- WEIGHT OF GLASS IN GRAMS: 1195.71±10%
- 5 PIN AMP CONNECTOR LATCH STYLE HOUSING P/N: 487526-4
 TIN CONTACTS P/N: 2-487406-4
 HOUSING ORIENTED WITH LATCH DOWN

UNITS INCHES [MM]
 TOLERANCES UNLESS OTHERWISE SPECIFIED
 .X ±
 .XX ±.03 [.76]
 .XXX ±.015 [.38]
 ANGLES ±1°
 THIRD ANGLE PROJECTION
 DO NOT SCALE DRAWING
 SCALE 1 = 1

3M 3M TOUCH SYSTEMS
 METHUEN, MA
 USA
 © COPYRIGHT 2004
 THIS DOCUMENT IS COPYRIGHTED PROPERTY OF THE 3M COMPANY AND MAY NOT BE REPRODUCED WITHOUT 3M WRITTEN PERMISSION OR USED OR DISCLOSED FOR OTHER THAN 3M AUTHORIZED PURPOSES.

DRAWN AH 4/07

02	RELEASE PER CO 028687	2/08	ACM
01	RELEASE PER CO 027279	4/07	AH
REV	CHANGE NOTICE	DATE	DRW
TITLE MARKETING DRAWING 17-9311-2XX			
CAD FORMAT	AUTOCAD	SHEET	1 OF 1
SIZE	DOCUMENT NO.	REV	
C	34079-MKT		02