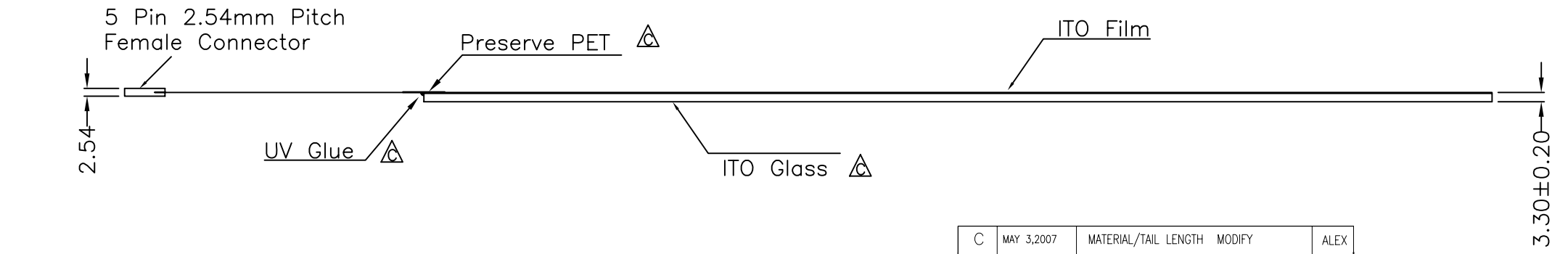
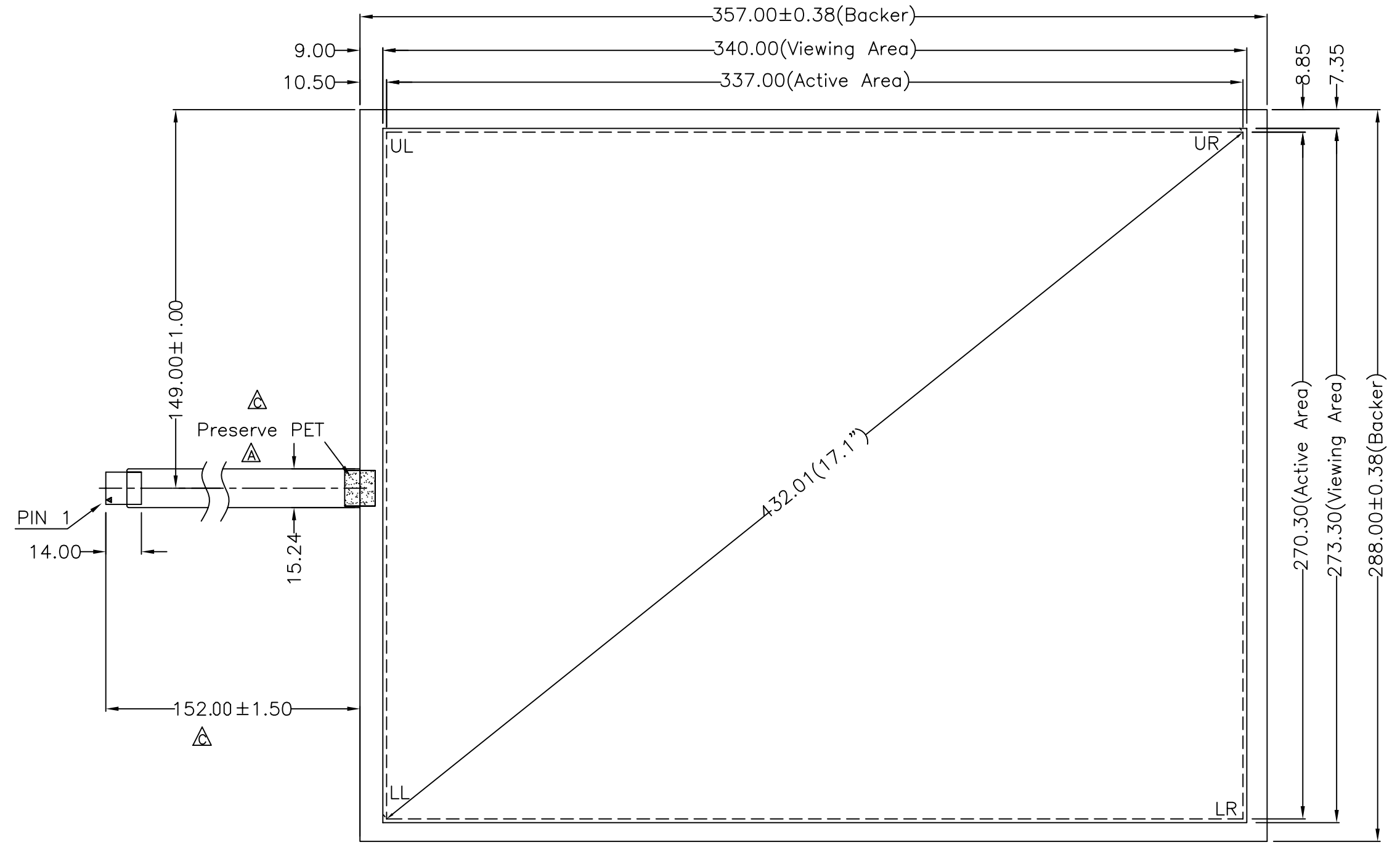


Pin#	Assignment
1	LL
2	UL
3	S
4	LR
5	UR



- NOTES:
1. ITO GLASS THICKNESS : 2.80mm
 2. OVERALL THICKNESS : 3.30±0.20mm
 3. CONNECTOR AND PINOUT AS INDICATED
 4. FRONT SURFACE : ANTI-GLARE HARDCOAT
 5. LAYER TO LAYER ASSEMBLY TOLERANCE: ±0.50mm
 6. TAIL TYPE : IMMERSION GOLD PLATED FPC WITH AMP-C TIN PLATED CONTACTS
 7. OTHER SPEC : SEE APPROVAL SHEET



NO.	DATE	DESCRIPTION	CHK
C	MAY 3, 2007	MATERIAL/TAIL LENGTH MODIFY ADD UV GLUE/PRESERVE PET MODIFY	ALEX
B	FEB 13, 2006	MATERIAL MODIFY	ALEX
A	SEP 20, 2005	FPC TAIL CHANGE	ALEX

REVISION			
CHIEF OF DESIGN		APPROVED	Alex
ENGINEER		PROJECT MANAGER	
DRAWN BY	Denise	DATE	APR. 22, 2009
SHT	1 OF 1	REV.	C

Apex Material Technology Corp.

TOLERANCES UNLESS SPECIFIED		MODEL NAME : 2505 DWG NO : 2505-3-011 SCALE: 1:1 UNIT: mm
.X	± 0.50	
.XX	± 0.50	
.XXX	± 0.30	
ANGULAR	.	