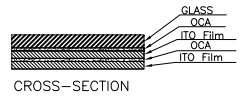
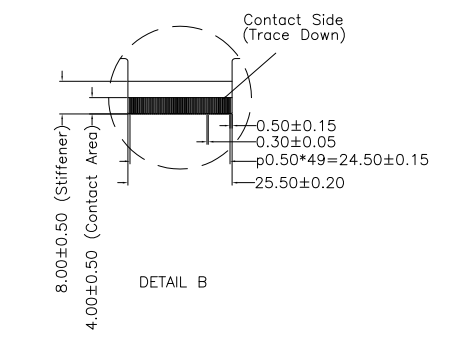
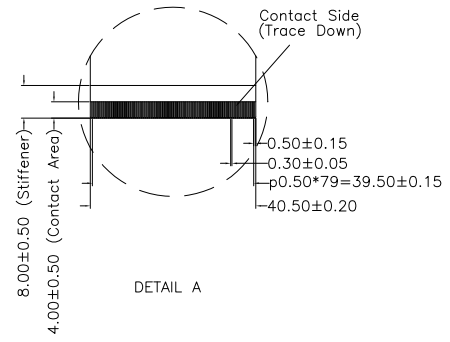
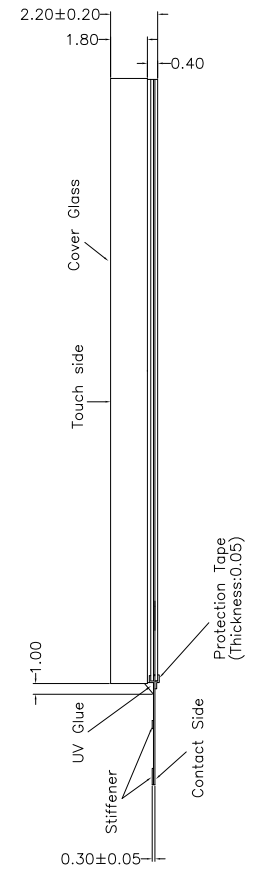
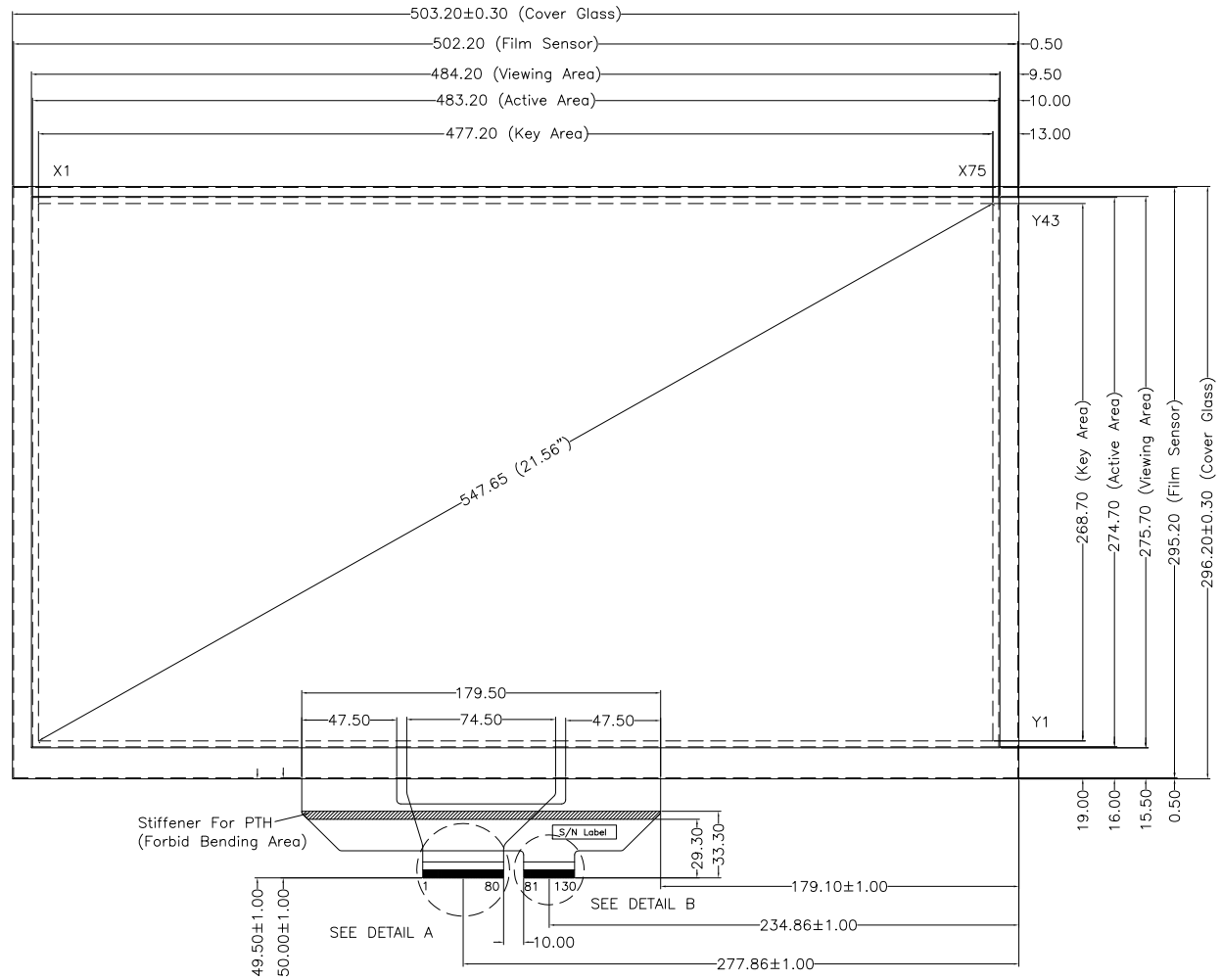


# TOUCH SIDE VIEW

PIN#	Assignment
1-2	GND
3	NC
4-78	X1-X75
79	NC
80-81	GND
82	NC
83-125	Y1-Y43
126-129	NC
130	GND



- NOTES:
- INPUT MODE : ANTI-UV PROJECTED CAPACITIVE
  - SENSOR : AMT
  - OVERALL THICKNESS : 2.20±0.20mm
  - COVER GLASS THICKNESS : 1.80mm
  - FRONT SURFACE : CLEAR
  - TAIL TYPE : GOLD PLATED FPC, ZIF
  - RECOMMENDED CONTROL BOARDS : PENMOUNT PM171X SERIES
  - OTHER SPEC : SEE APPROVAL SHEET
  - PLEASE REFER TO AMT TOUCH SCREEN INTEGRATION GUIDES FOR SYSTEM MECHANICAL DESIGN AND ASSEMBLY METHODS



NO.	DATE	DESCRIPTION	CHK
C	2016.08.23	Modify Top OCA	Grace
A	Feb. 5, 2015	MODIFY BOTTOM FILM CIRCUIT	JERRY
REVISION			
CHIEF OF DESIGN		APPROVED	Grace
DRAWN BY	Bruce	DATE	2018.02.22
SHEET 1 OF 1			

Apex Material Technology Corp.	
TOLERANCES UNLESS SPECIFIED	DWG NO :
.X	± 0.50
.XX	± 0.50
.XXX	± 0.30
ANGULAR	.
	P3022-A2-3-U01-01
	SCALE: N/S UNIT: mm