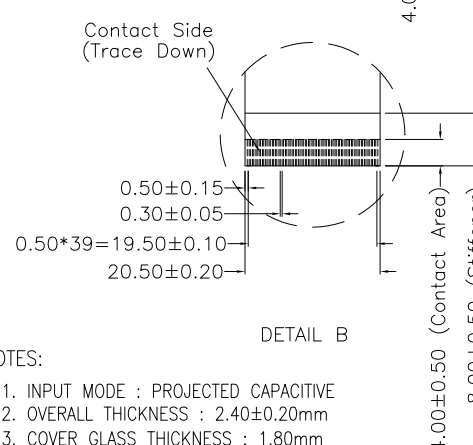
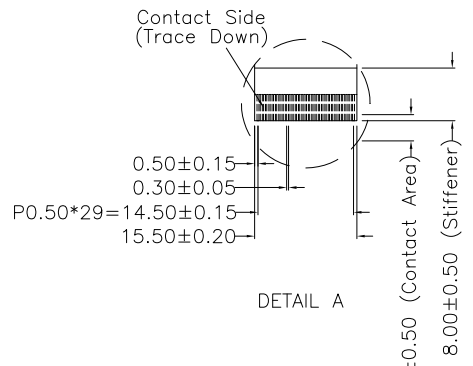
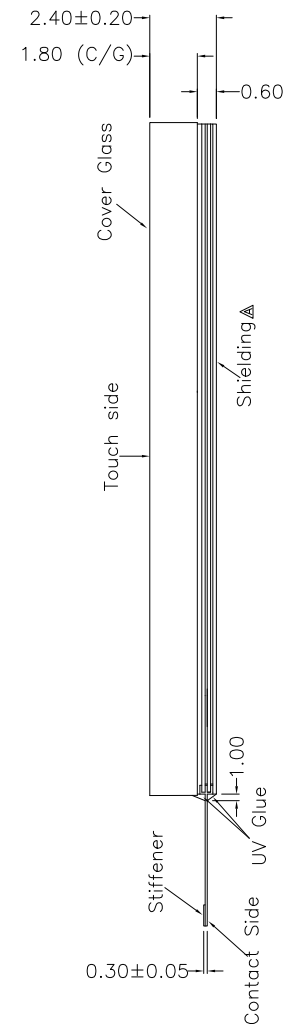
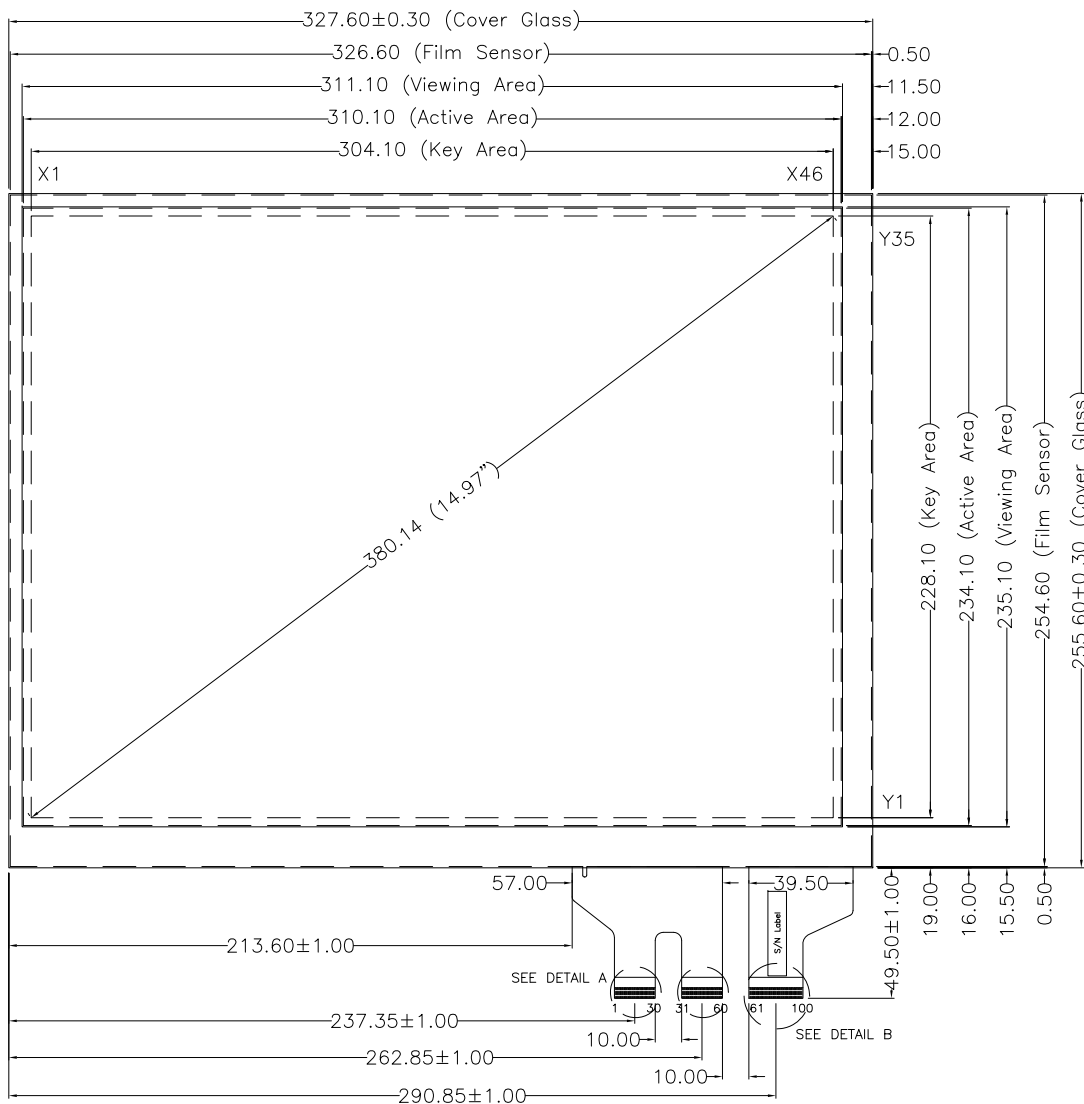


Touch Side View

CONNECTOR PINOUT	
PIN#	DESIGNATION
1	Shielding
2-3	Grounding Line
4-5	Blank
6-28	X1-X23
29-33	Blank
34-56	X24-X46
57-59	Blank
60-61	Grounding Line
62	Blank
63-97	Y1-Y35
98-99	Blank
100	Grounding Line



NOTES:

- INPUT MODE : PROJECTED CAPACITIVE
- OVERALL THICKNESS : 2.40±0.20mm
- COVER GLASS THICKNESS : 1.80mm
- FRONT SURFACE : CLEAR TYPE
- TAIL TYPE : GOLD PLATED FPC , ZIF
- RECOMMENDED CONTROL BOARDS : PENMOUNT PM1400 SERIES
- OTHER SPEC : SEE APPROVAL SHEET
- PLEASE REFER TO AMT TOUCH SCREEN INTEGRATION GUIDES FOR SYSTEM MECHANICAL DESIGN AND ASSEMBLY METHODS



NO.	DATE	DESCRIPTION	JERRY CHK
A	SEP 26 , 2011	EMI SHIELD FILM MODIFY	JERRY
REVISION			
CHIEF OF DESIGN		APPROVED	Jerry
ENGINEER		PROJECT MANAGER	
DRAWN BY	Andre	DATE	JUN 24 , 2013
SHT 1	OF 1	REV.	A

Apex Material Technology Corp.

TOLERANCES UNLESS SPECIFIED		MODEL NAME : P3013-02
.X	± 0.50	DWG NO : P3013-02-1-011
.XX	± 0.50	SCALE: N/S UNIT: mm
.XXX	± 0.30	
ANGULAR	.	