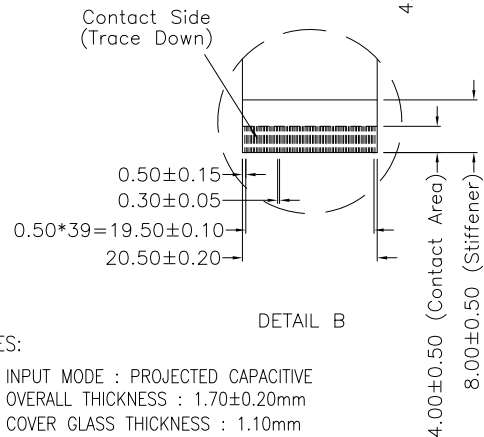
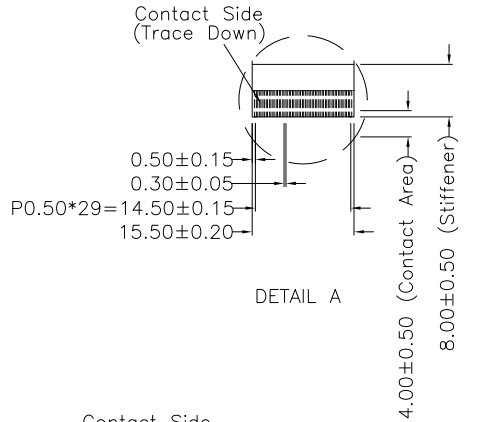
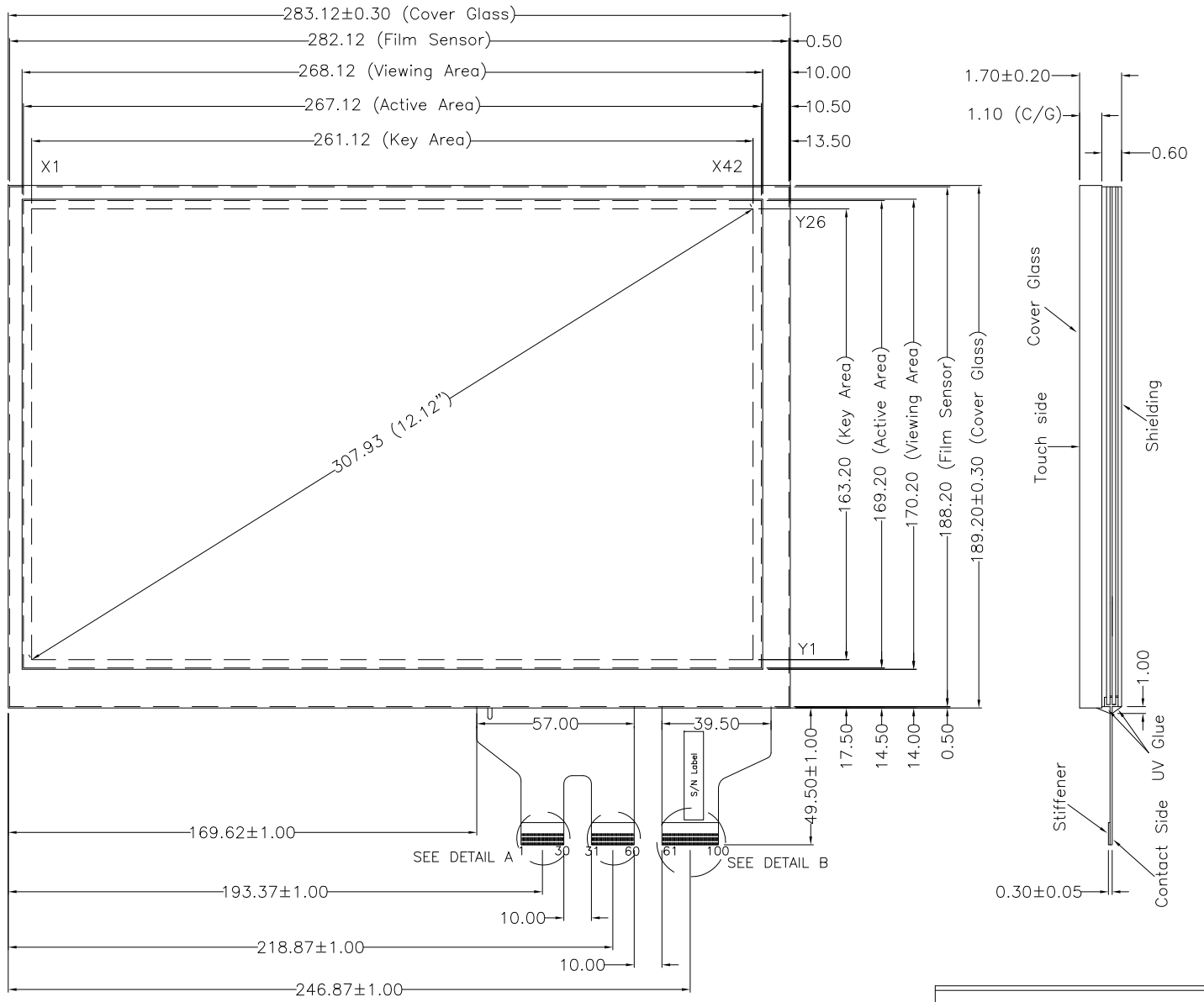


Touch Side View

CONNECTOR PINOUT	
PIN#	DESIGNATION
1	Shielding
2-3	Grounding Line
4-5	Blank
6-28	X1-X23
29-33	Blank
34-52	X24-X42
53-59	Blank
60-61	Grounding Line
62	Blank
63-88	Y1-Y26
89-99	Blank
100	Grounding Line



- NOTES:
1. INPUT MODE : PROJECTED CAPACITIVE
 2. OVERALL THICKNESS : 1.70±0.20mm
 3. COVER GLASS THICKNESS : 1.10mm
 4. FRONT SURFACE : CLEAR TYPE
 5. TAIL TYPE : GOLD PLATED FPC , ZIF
 6. RECOMMENDED CONTROL BOARDS : PENMOUNT PM1400 SERIES
 7. OTHER SPEC : SEE APPROVAL SHEET
 8. PLEASE REFER TO AMT TOUCH SCREEN INTEGRATION GUIDES FOR SYSTEM MECHANICAL DESIGN AND ASSEMBLY METHODS



NO.	DATE	DESCRIPTION	CHK
REVISION			
CHIEF OF DESIGN		APPROVED	Jerry
ENGINEER		PROJECT MANAGER	
DRAWN BY	Andre	DATE	JUN 24 , 2013
SHT	1 OF 1	REV.	0

TOLERANCES UNLESS SPECIFIED		MODEL NAME : P3014-02
.X	± 0.50	DWG NO : P3014-02-0-012
.XX	± 0.50	
.XXX	± 0.30	
ANGULAR	.	SCALE: N/S UNIT: mm

Apex Material Technology Corp.