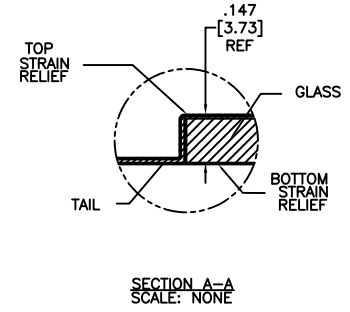
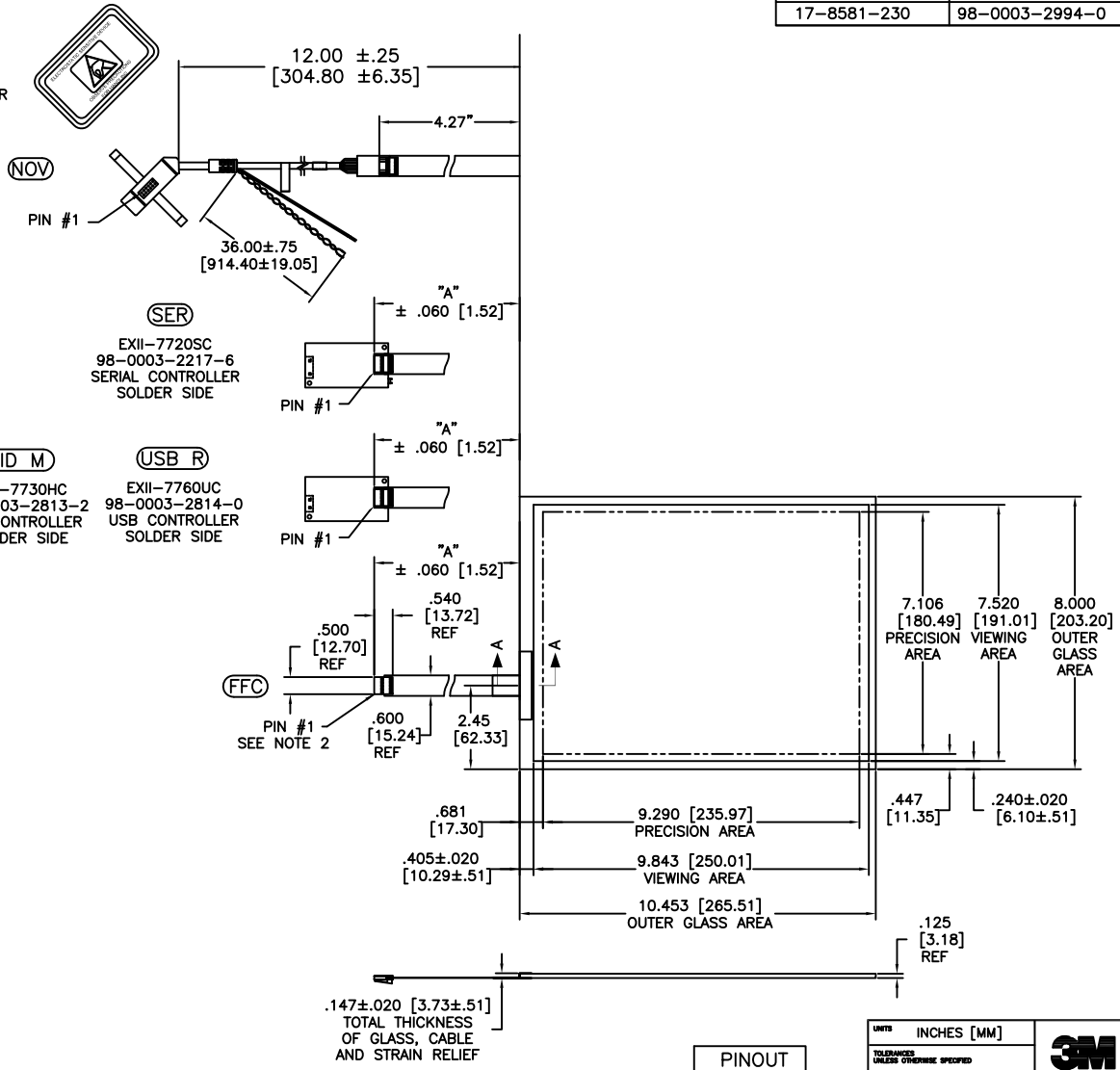


OGA DIAGONAL: 13.16 [334.34]
 VA DIAGONAL: 12.39 [314.63]
 PA DIAGONAL: 11.70 [297.08]

TOP LEVEL NUMBER	SKU 98 NUMBER	TYPE	DIM "A" (TOTAL GLASS TO CONNECTOR)	A/G FINISH	PROD SPEC
17-8581-203	98-0003-2633-4	FFC	4.27" [108.46]	AG500	23655
17-8581-205	98-0003-2634-2	FFC	8.00" [203.20]	AG500	23655
17-8581-206	98-0003-2635-9	NOV	SEE DWG	AG500	23655
17-8581-221	98-0003-2637-5	SER	4.27" [108.46]	AG500	23655
17-8581-227	98-0003-2639-1	SER	8.00" [203.20]	AG500	23655
17-8581-218	98-0003-3272-0	USB R	4.27" [108.46]	AG500	23655
17-8581-230	98-0003-2994-0	HID M	8.00" [203.20]	AG500	23655

ESD CLAMSHELL CASE IS USED WITH ALL NOV, USB AND SER TERMINATIONS.



- NOTES:
- WEIGHT OF GLASS IN GRAMS: 411±10%
 - 5 PIN AMP CONNECTOR LATCH STYLE HOUSING P/N: 487526-4
 TIN CONTACTS P/N: 2-487406-4
 HOUSING ORIENTED WITH LATCH DOWN

PINOUT	
1	LR
2	LL
3	SHLD
4	UL
5	UR

UNITS INCHES [MM]
 TOLERANCES UNLESS OTHERWISE SPECIFIED
 .X ±
 .XX ±.03 [.76]
 .XXX ±.015 [.38]
 ANGLES ±1°
 THIRD ANGLE PROJECTION
 DO NOT SCALE DRAWING
 SCALE 1 = 1

3M 3M TOUCH SYSTEMS
 METHUEN, MA
 USA
 © COPYRIGHT 2004
 THIS DOCUMENT IS COPYRIGHTED PROPERTY OF THE 3M COMPANY AND MAY NOT BE REPRODUCED WITHOUT 3M WRITTEN PERMISSION OR USED OR DISCLOSED FOR OTHER THAN 3M AUTHORIZED PURPOSES.

DRAWN K CROWLEY 9/05

REV	CHANGE NOTICE	DATE	DRW
07	REVISED PER CO 030452	6/09	SB
06	REVISED PER CO 030178	3/09	AH
05	REVISED PER CO 028873	5/08	SEB

TITLE
MARKETING DRAWING
SCT32NN 12.39"

CAD FORMAT AUTOCAD SHEET 1 OF 1
 SIZE C DOCUMENT NO. 28159-MKT REV 07