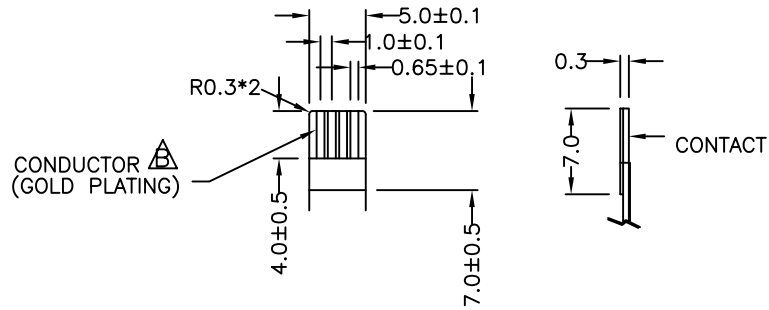
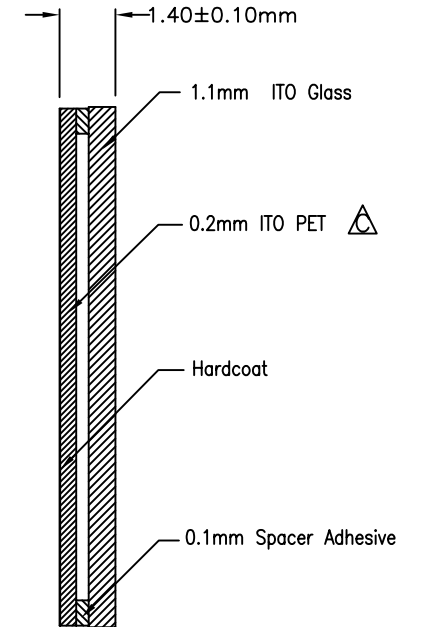
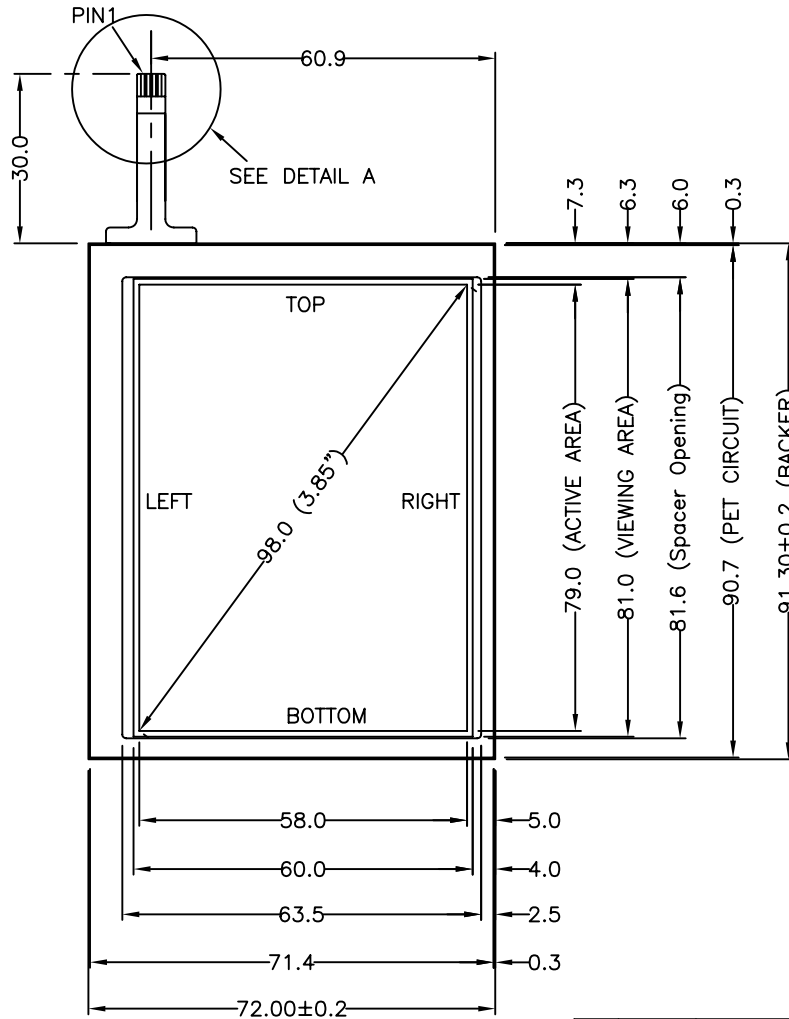


FRONT VIEW



DETAIL A
SCALE 2.0

Pin #	Assignment
1	Bottom
2	Left
3	Top
4	Right



SECTION A-A

NOTES:

1. ITO GLASS THICKNESS : 1.10mm
2. OVERALL THICKNESS : 1.40±0.10mm
3. CONNECTOR AND PINOUT AS INDICATED
4. FRONT SURFACE : CLEAR HARDCOAT
5. LAYER TO LAYER ASSEMBLY TOLERANCE: ±0.30mm
6. TAIL TYPE : IMMERSION GOLD PLATED FPC , ZIF
7. OTHER SPEC : SEE APPROVAL SHEET



NO.	DATE	DESCRIPTION	CHK
C	MAY 21, 2007	ITO PET MODIFY	ALEX
B	SEP 19, 2005	CONDUCTOR GOLD PLATING	ALEX
A	APR 16, 2001	TAIL & DIMENSIONS MODIFY	ALEX

REVISION			
CHIEF OF DESIGN		APPROVED	Alex
ENGINEER		PROJECT MANAGER	
DRAWN BY	Grace	DATE	Aug 10, 2007
SHT	1 OF 1	REV.	C

TOLERANCES UNLESS SPECIFIED		PROJECT NAME: 9505 DWG NO : 9505-3-011 SCALE: 1:1 UNIT: mm
.X	± 0.50	
.XX	± 0.25	
.XXX	± 0.10	
ANGULAR	.	

Apex Material Technology Corp.