

Modularized Industrial Panel PC Display and Box Module

Plug and Play, Mix and Match
25 Different Products in 2 min








FEATURES

- Modularized Design for different application needs and minimal system down time during maintenance
- Solid and rugged System Construction withstands punishments from all environments
- Panel / VESA 100 / Wall / Clamp Type mounting designed for ultimate application flexibility
- Intel® Celeron™ or Intel® Core™ Gen 7th i processors for tougher performance requirement
- 10.4" to 21.5" TFT XVGA LCD Display Modules with Capacitive Touch
- Supports USB 3.0, Supports Dual Gbe Ethernet port
- Wide Operating Temperature
- Wide Range Power

APPLICATIONS

- Manufacturing
- Field Service/Utilities
- Transportation
- Construction
- Aerospace Training

Modularized Industrial Panel PC Box Module

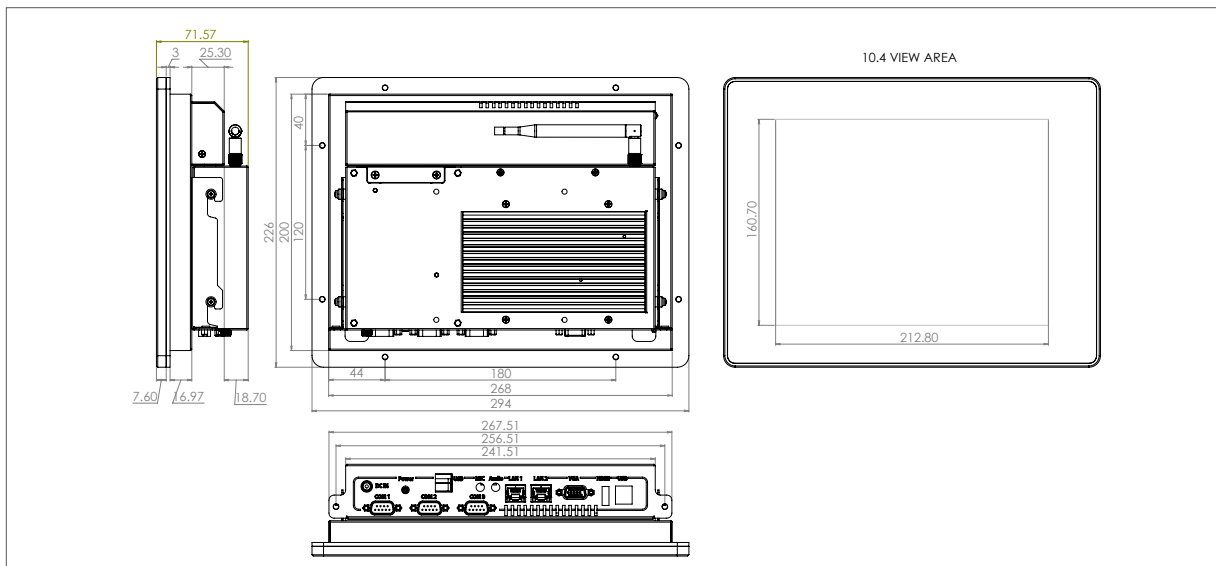
					
	QPA Box Module	QPI i3 Box Module	QPI i5 Box Module	QPI i7 Box Module	QTM Touch Monitor Box Module
System Box Module					
Processor	Intel® Celeron™ Braswell N3160 Quad Core 6W 1.6GHz	Intel® Core™ 7th Generation i3 7100U 2.4 GHz	Intel® Core™ 7th Generation i5 7300U 2.6 GHz / 3.5 GHz	Intel® Core™ 7th Generation i7 7600U 2.8 GHz / 3.9 GHz	N/A
System Memory	1 x 204 Pin 1.5V DDR3-L SO-DIMM, expandable up to 8GB	2 x DDR4-2133 SO-DIMM, Max 32GB (Non-ECC)	2 x DDR4-2133 SO-DIMM, Max 32GB (Non-ECC)	2 x DDR4-2133 SO-DIMM, Max 32GB (Non-ECC)	N/A
Storage	1 x 2.5" SATA HDD / mSATA SSD	2.5" SATA HDD / mSATA SSD	2.5" SATA HDD / mSATA SSD	2.5" SATA HDD / mSATA SSD	N/A
I/O	Serial port x 3 (RS232/422/485 x 1, RS232*2)	Serial port x 4 (RS232/422/485 x 1, RS232 x 3)	Serial port x 4 (RS232/422/485 x 1, RS232 x 3)	Serial port x 4 (RS232/422/485 x 1, RS232 x 3)	USB x 1 (For Touch)
	USB x 4 (USB 3.0 x 2, USB 2.0 x 3)	USB x 6 (USB 3.0 x 4, USB 2.0 x 3)	USB x 6 (USB 3.0 x 4, USB 2.0 x 3)	USB x 6 (USB 3.0 x 4, USB 2.0 x 3)	VGA x 1
	Ethernet, RJ-45, PCI-e Gbe LAN x 2	Ethernet, RJ-45, PCI-e Gbe LAN x 2	Ethernet, RJ-45, PCI-e Gbe LAN x 2	Ethernet, RJ-45, PCI-e Gbe LAN x 2	HDMI 1.4a x 1
	HDMI 1.4a x 1, CRT VGA x 1, DB-15	HDMI 1.4a x 1 DisplayPort 1.2 x 1	HDMI 1.4a x 1 DisplayPort 1.2 x 1	HDMI 1.4a x 1 DisplayPort 1.2 x 1	DisplayPort 1.2 x 1
Audio, Line out x 1, Phone Jack	Line in x 1, Line out x 1, Phone Jack	Line in x 1, Line out x 1, Phone Jack	Line in x 1, Line out x 1, Phone Jack	Line Out x 1	
Expansion Interface	1 x Mini PCI 1 x Mini miniSATA	Mini PCI x 1	Mini PCI x 1	Mini PCI x 1	N/A
OS Support	Microsoft Windows 7/ 8/ 8.1/ 10, Linux	Microsoft Windows 7/ 10, Linux	Microsoft Windows 7/ 10, Linux	Microsoft Windows 7/ 10, Linux	N/A
Power Requirement	DC Jack, +12V~+24V Wide Range Input	DC Jack, +9V~+24V Wide Range Input	DC Jack, +9V~+24V Wide Range Input	DC Jack, +9V~+24V Wide Range Input	DC Jack, +24V
Mechanical					
Construction	Heavy-duty steel chassis (Black), Aluminum Heatsink	Heavy-duty steel chassis (Black), Aluminum Heatsink	Heavy-duty steel chassis (Black), Aluminum Heatsink	Heavy-duty steel chassis (Black), Aluminum Heatsink	Heavy-duty steel chassis (Black)
Operation Temp.	32°F ~ 122°F (0°C ~ 50°C) with Ambient Air	32°F ~ 122°F (0°C ~ 60°C) with Ambient Air	32°F ~ 122°F (0°C ~ 60°C) with Ambient Air	32°F ~ 122°F (0°C ~ 60°C) with Ambient Air	32°F ~ 104°F (0°C ~ 40°C) with Ambient Air
Storage Temp.	-22°F ~ 175°F (-30°C ~ 80°C)	-22°F ~ 175°F (-30°C ~ 80°C)	-22°F ~ 175°F (-30°C ~ 80°C)	-22°F ~ 175°F (-30°C ~ 80°C)	-22°F ~ 175°F (-30°C ~ 80°C)
Relative Humidity	10~90% @40°C, Non-condensing	10~90% @40°C, Non-condensing	10~90% @40°C, Non-condensing	10~90% @40°C, Non-condensing	10~90% @40°C, Non-condensing
Backlight Lifetime	50,000hrs / LED	50,000hrs / LED	50,000hrs / LED	50,000hrs / LED	50,000hrs / LED
Vibration	5-17Hz, 0.1" double amplitude peak to peak, 1.5G acceleration peak to peak	5-17Hz, 0.1" double amplitude peak to peak, 1.5G acceleration peak to peak	5-17Hz, 0.1" double amplitude peak to peak, 1.5G acceleration peak to peak	5-17Hz, 0.1" double amplitude peak to peak, 1.5G acceleration peak to peak	5-17Hz, 0.1" double amplitude peak to peak, 1.5G acceleration peak to peak
Shock	10G acceleration peak to peak (11ms)	10G acceleration peak to peak (11ms)	10G acceleration peak to peak (11ms)	10G acceleration peak to peak (11ms)	10G acceleration peak to peak (11ms)
Rating	IP 65 compliant front bezel	IP 65 compliant front bezel	IP 65 compliant front bezel	IP 65 compliant front bezel	IP 65 compliant front bezel
Qualification	Formal certification CE I FCC Class B	Formal certification CE I FCC Class B	Formal certification CE I FCC Class B	Formal certification CE I FCC Class B	Formal certification CE I FCC Class B
Mounting	Panel/ VESA 100/ Wall/ Clamp Type	Panel/ VESA 100/ Wall/ Clamp Type	Panel/ VESA 100/ Wall/ Clamp Type	Panel/ VESA 100/ Wall/ Clamp Type	Panel/ VESA 100/ Wall/ Clamp Type
With Display Module					
Dimension	294 x 71.5 x 226mm	294 x 93 x 226mm	294 x 93 x 226mm	294 x 93 x 226mm	294 x 55 x 226mm
Packing Dimension	390 x 160 x 380mm	390 x 160 x 380mm	390 x 160 x 380mm	390 x 160 x 380mm	390 x 160 x 380mm
System Weight(N.W.)	3.1 KG	4.5 KG	4.5 KG	4.5 KG	2.8 KG
Weight with Packing(G.W.)	4.8 KG	6.2 KG	6.2 KG	6.2 KG	4.5 KG
Optional Order					
Memory	DDR3-L 1GB, DDR3-L 2GB, DDR3-L 4GB	DDR4 2GB, DDR4 4GB, DDR4 8GB, DDR4 16GB	DDR4 2GB, DDR4 4GB, DDR4 8GB, DDR4 16GB	DDR4 2GB, DDR4 4GB, DDR4 8GB, DDR4 16GB	N/A
Storage	2.5" SATA HDD 500GB~1TB, SSD 16GB~256GB	2.5" SATA HDD 500GB~1TB, SSD 16GB~256GB	2.5" SATA HDD 500GB~1TB, SSD 16GB~256GB	2.5" SATA HDD 500GB~1TB, SSD 16GB~256GB	N/A
OS	Microsoft Windows 7/8/8.1/10, Linux	Microsoft Windows 7/ 10, Linux	Microsoft Windows 7/ 10, Linux	Microsoft Windows 7/ 10, Linux	N/A
Wifi LAN	RTL8188CUS-BC8-WB	RTL8188CUS-BC8-WB	RTL8188CUS-BC8-WB	RTL8188CUS-BC8-WB	N/A
Power	DC to Power Terminal Adapter	DC to Power Terminal Connector	DC to Power Terminal Connector	DC to Power Terminal Connector	AC to PWR Terminal Connector

Modularized Industrial Panel PC Display Module

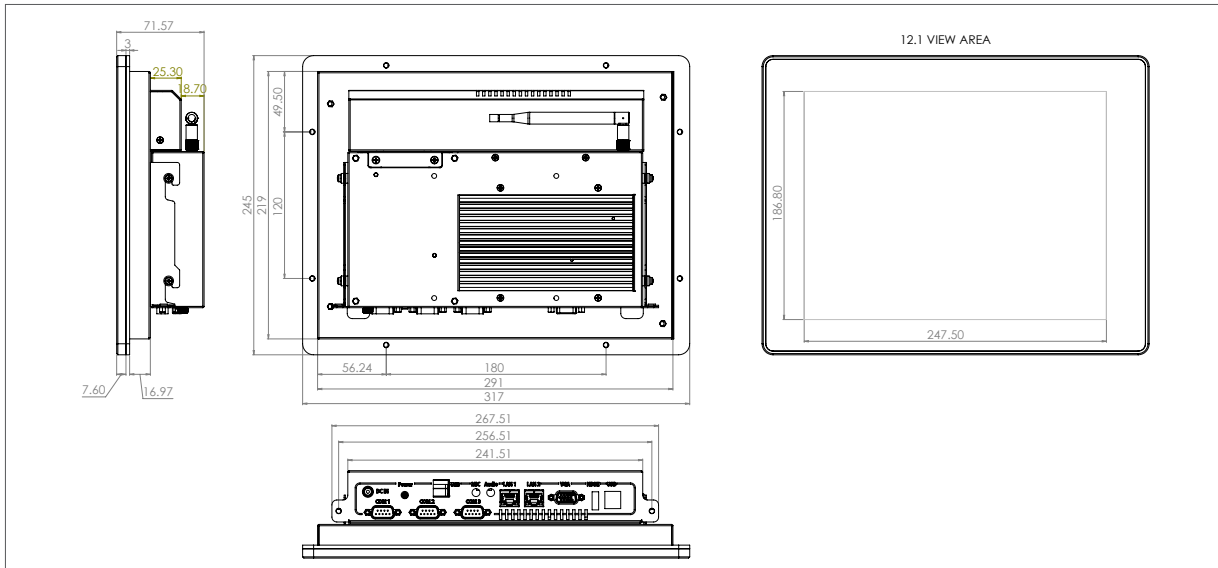
					
Display Module	10.4"	12.1"	15"	17"	21.5"
I/O	1 x USB 2.0 Hidden for USB Dongle	1 x USB 2.0 Hidden for USB Dongle	1 x USB 2.0 Hidden for USB Dongle	1 x USB 2.0 Hidden for USB Dongle	1 x USB 2.0 Hidden for USB Dongle
Touch screen	Projected Capacitive Touch	Projected Capacitive Touch	Projected Capacitive Touch	Projected Capacitive Touch	Projected Capacitive Touch
LCD	10.4" TFT XVGA	12.1" TFT XVGA	15" TFT XVGA	17" TFT XVGA	21.5" TFT XVGA
Resolution	800 x 600 16.2M Colors Optional 1024 x 768	800 x 600 16.2M Colors Optional 1024 x 768	1024 x 768 16.2M Colors	1280 x 1024 16.2M Colors	1920 x 1080 16.2M Colors
Luminance (cd/m2)	350	400	250	250	250
Viewing Angle	160°	160°	160°	160°	160°
Backlight Lifetime	50,000hrs/ LED	50,000hrs/ LED	50,000hrs/ LED	50,000hrs/ LED	50,000hrs/ LED
Mechanical					
Construction	Heavy-duty steel chassis (Black), Aluminum Front Bezel				
Mounting	Panel / VESA 100 / Wall / Clamp Type				
With System Module					
Dimension	294 x 93 x 226 mm	317 x 93 x 245 mm	355 x 93 x 290 mm	387 x 93 x 332 mm	524 x 93 x 330 mm
Packing Dimension	390 x 160 x 380 mm	406 x 160 x 415 mm	459 x 174 x 460 mm	501 x 174 x 491 mm	640 x 190 x 490 mm
System Weight (N.W.)	4.5 KG	4.7 KG	5.7 KG	6.2 KG	8.5 KG
Weight with Packing (G.W.)	6.2 KG	6.4 KG	7.4 KG	7.9 KG	9.7 KG
Optional Order					
Mounting	Clamp Type Mount	Clamp Type Mount	Clamp Type Mount	Clamp Type Mount	Clamp Type Mount

Mechanical Drawing

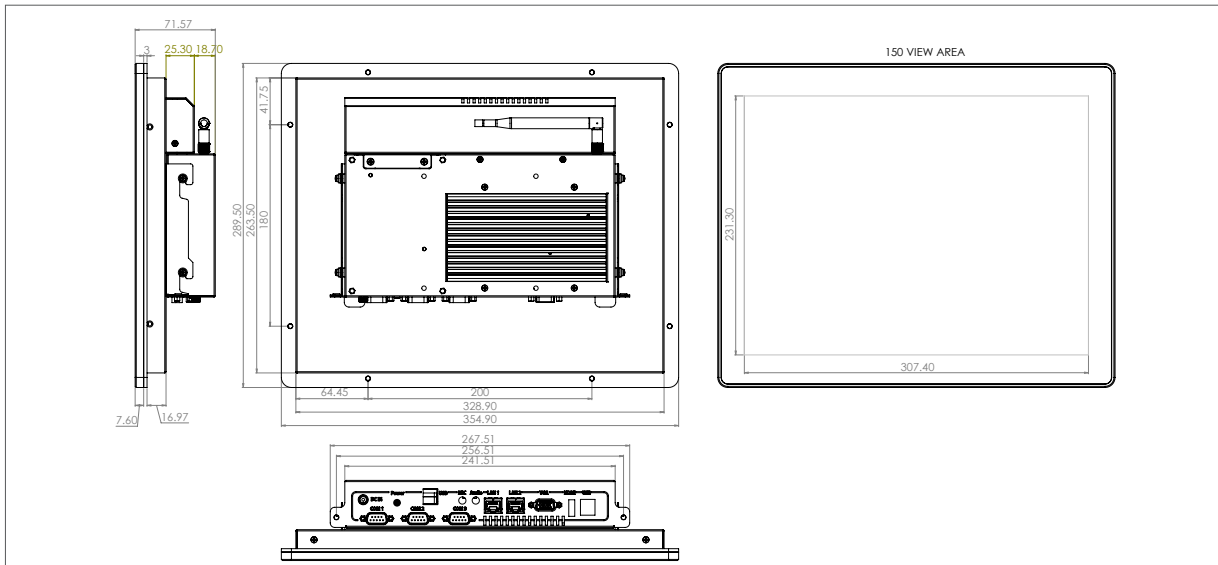
QPA Box Module with 10.4" Display Module



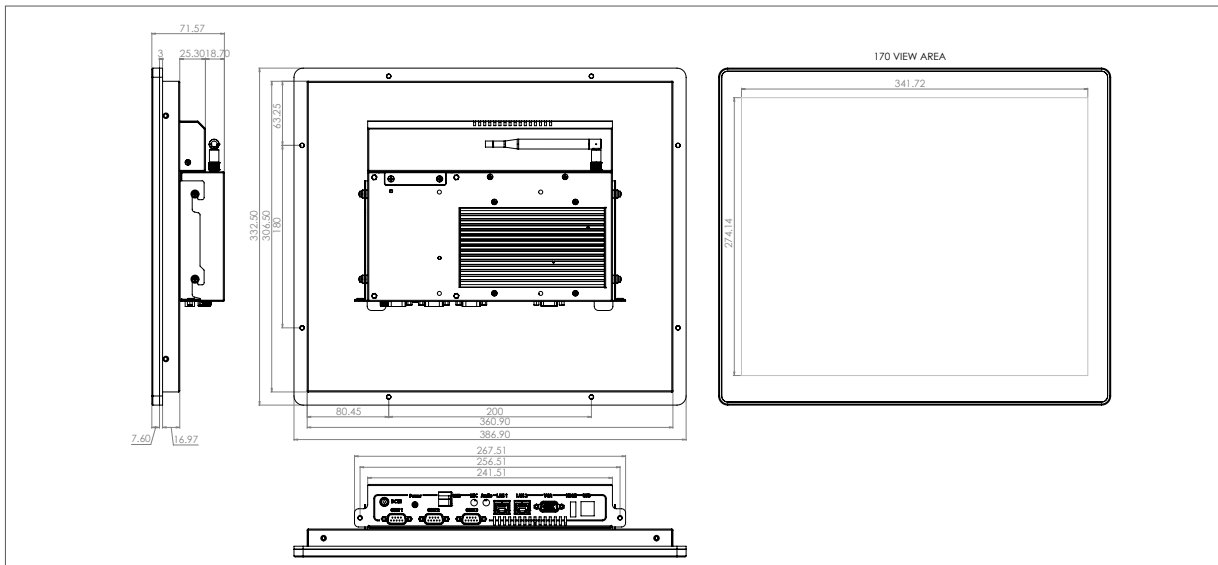
QPA Box Module with 12.1" Display Module



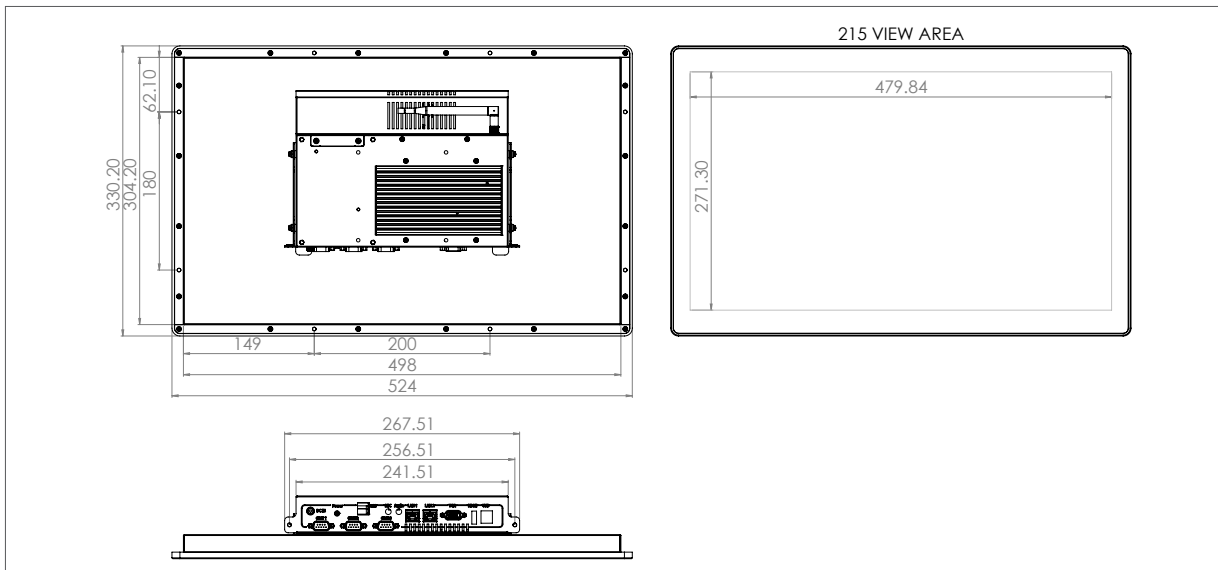
QPA Box Module with 15" Display Module



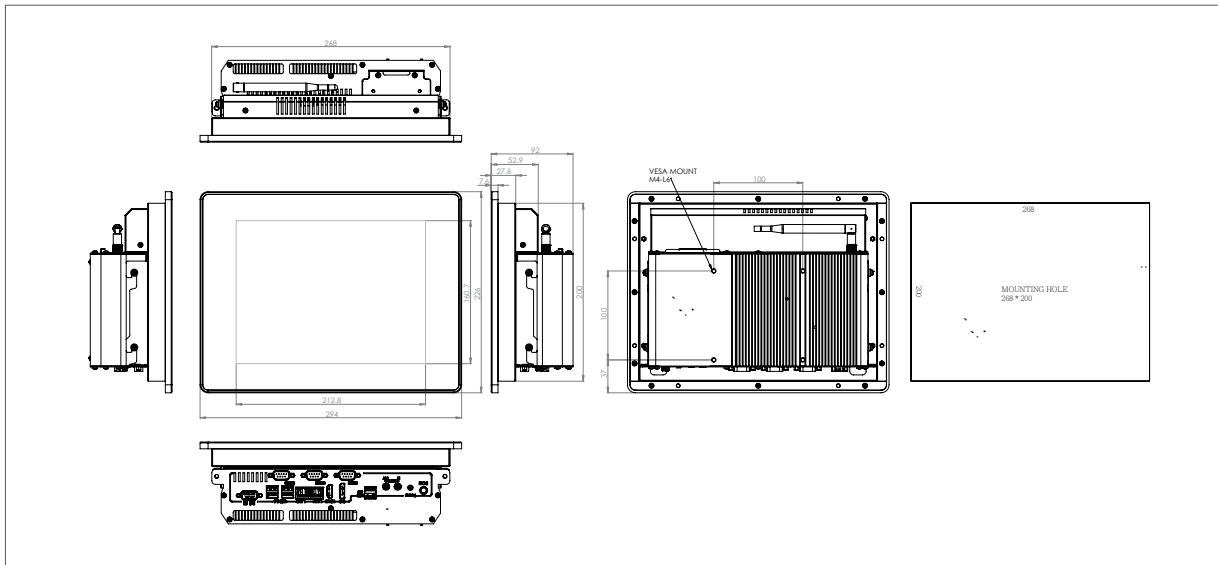
QPA Box Module with 17" Display Module



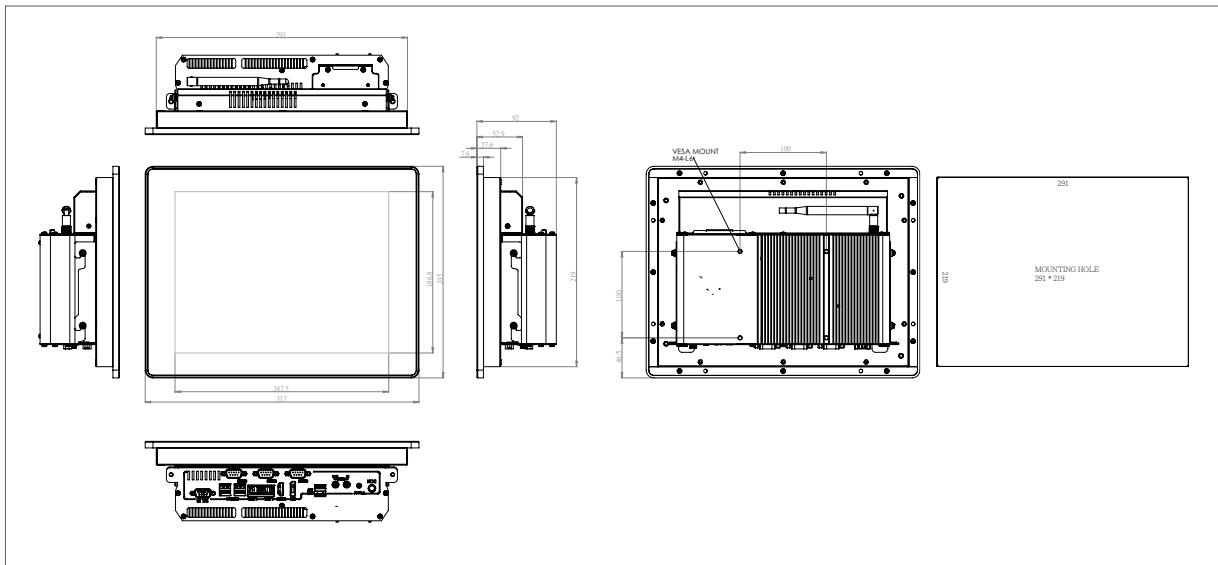
QPA Box Module with 21.5" Display Module



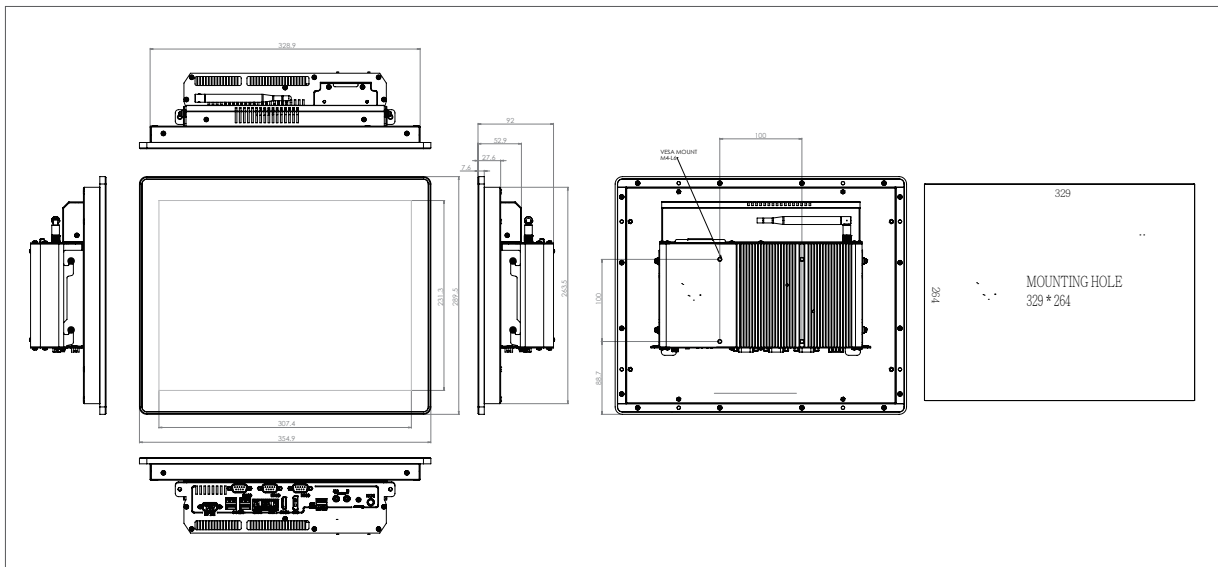
QPI Box Module with 10.4" Display Module



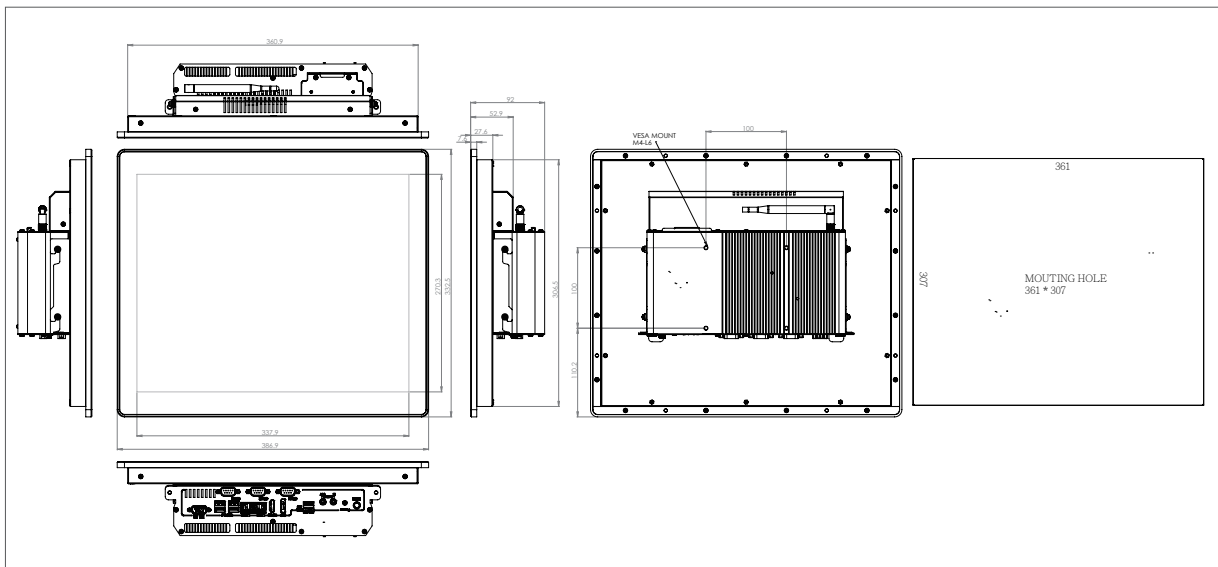
QPI Box Module with 12.1" Display Module



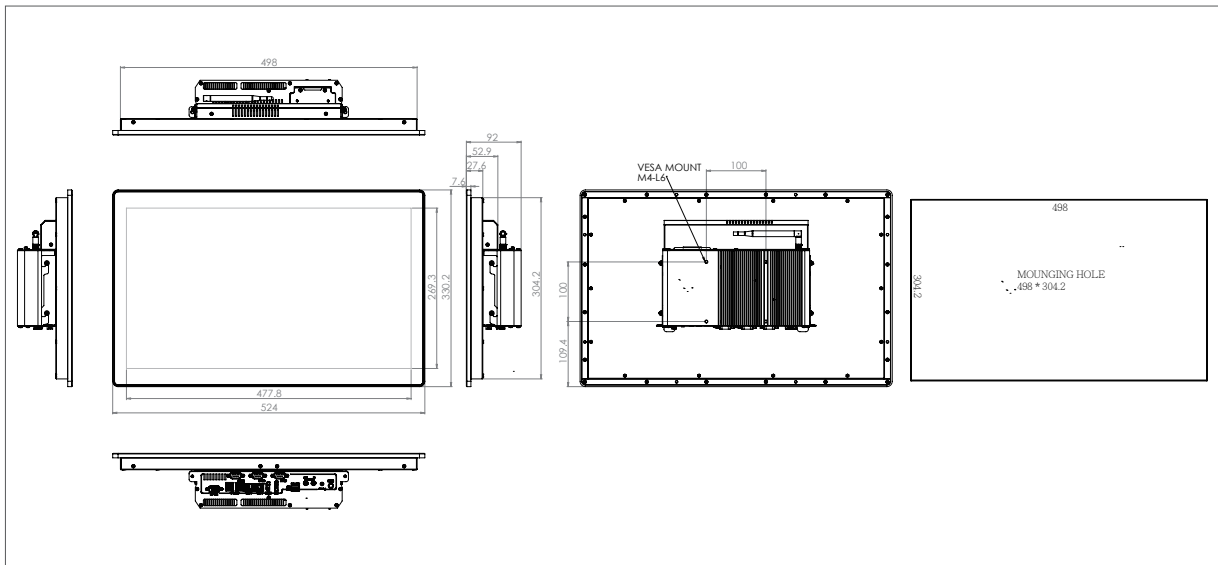
QPI Box Module with 15" Display Module



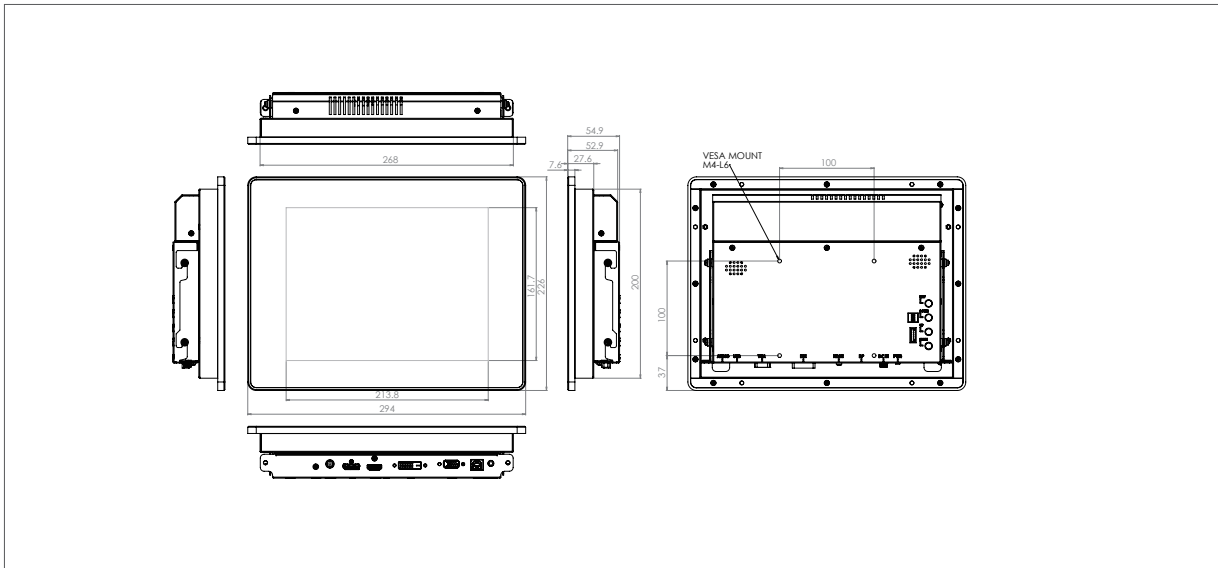
QPI Box Module with 17" Display Module



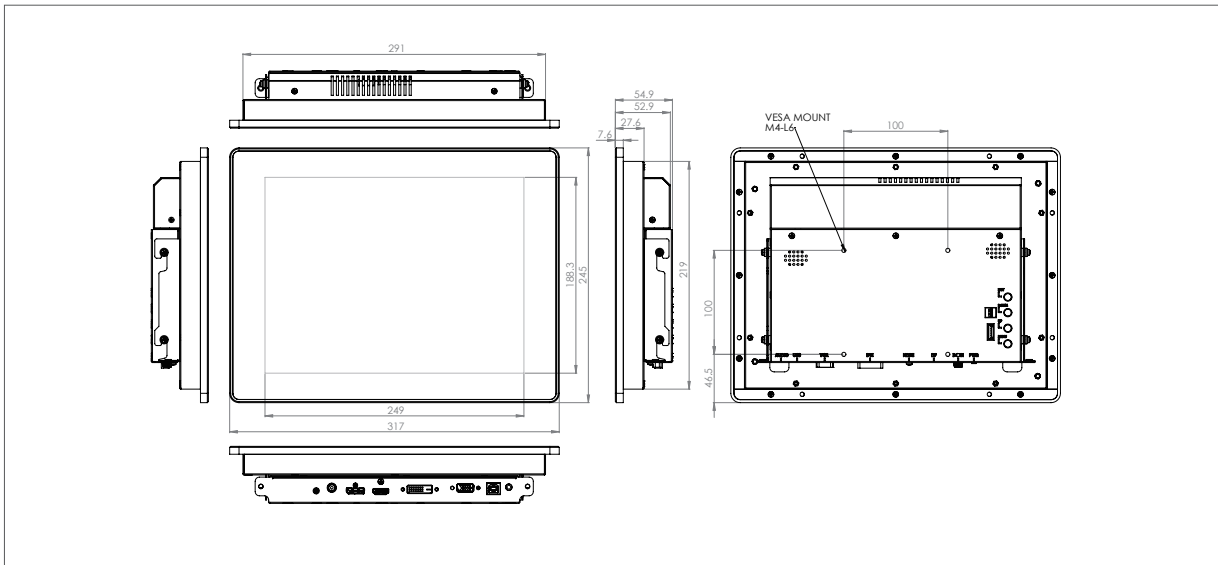
QPI Box Module with 21.5" Display Module



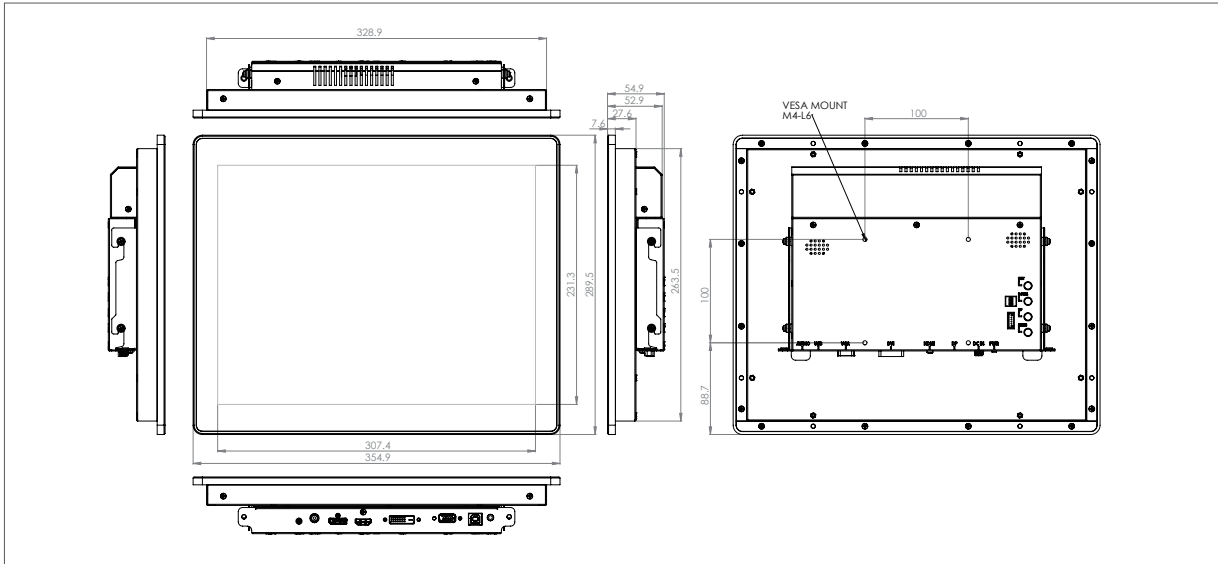
QTM Box Module with 10.4" Display Module



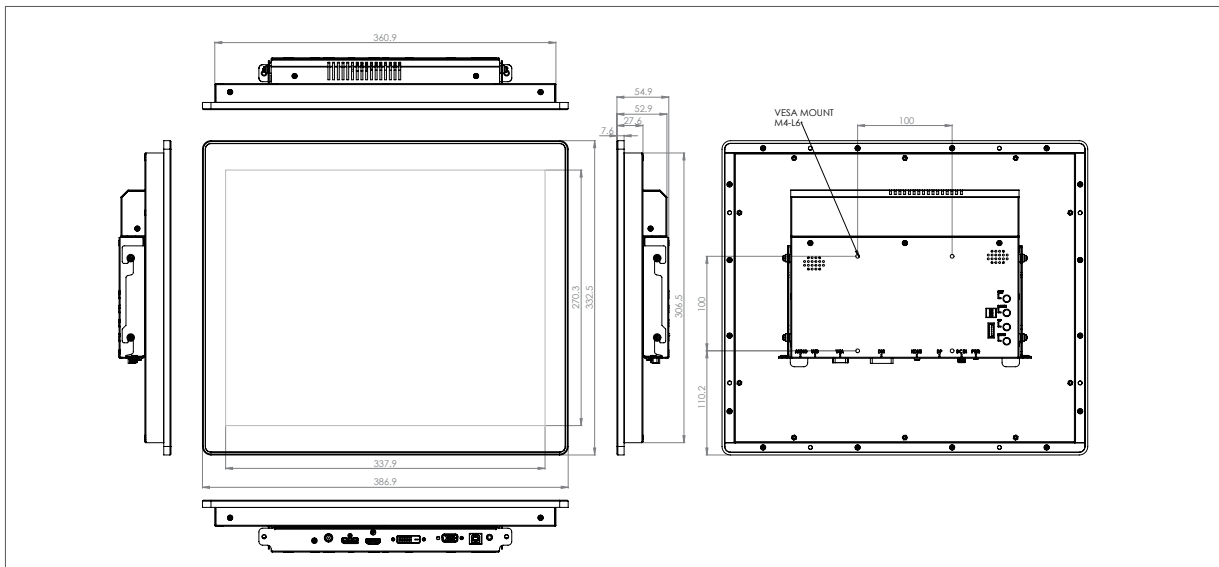
QTM Box Module with 12.1" Display Module



QTM Box Module with 15" Display Module



QTM Box Module with 17" Display Module



QTM Box Module with 21.5" Display Module

