

Surface Acoustic Wave Touchscreen RS232 /USB Control Board

Model: KCA-UR01H-R1D



Feature

- +12V DC (+11V ~ +13V)
- 10ms conversion time
- Support size of touchscreens from 8.4" to 24" without jumper setting
- Touch sensitivity can be adjusted in 5 levels
- Operation temperature from 0 to 70°C

A、Electrical Characteristic

Supply Voltage	+12V DC (+11V ~ +13V)
Supply Current	80mA (+12V DC)
	Power must supply 200mA at least.
Interface	EIA 232E (Serial RS-232) 8 Data Bits, 1 Stop Bit, No Parity, Full Duplex
	USB 2.0 Low-Speed
Resolution	4096x4096, size independent
Baud Rate	9600
Electrostatic Protection	Per EN 6100-4-2 1995: Meets Level 4 (15KV air/ 8 KV contact discharges)
Conversion Time	Approximately 8.4 ms Per coordinate Set
Reliability	MTBF greater than 300,000 hours per MIL-HDBK-217-F2 using the part stress calculation method for ground benign environment with an ambient temperature of 25 °C

B、Environmental Conditions

Operating Temperature Range	0° C ~ 65° C
Storage Temperature Range	-25° C ~ 85° C
Operating Humidity Range	10% ~ 90% (no dew falls)
Storage Humidity Range	10% ~ 90% (no dew falls)
Operating Altitude	10,000 feet (3048m)
Shock and Vibration	Three axis sine wave, 50Hz to 2KHz, 1G, 2 minutes/octave With dwell on resonances
Flammability	The PCB substrate and all plastic components, such as headers and connector are rate UL 94 V0.

C、Mechanical Characteristics

Construction	Four-layer surface-mount design with internal ground plane for EMI suppression
Dimensions	PCB 85mm×55mm×10mm
	Refer to picture
Power interface	No single power interface, PS2/Keyboard supply +5V DC
	No single power interface, USB bus supply +5V DC
To	USB SMD A Type
PC connector	DB9 female

D、Software Driver

Support Operating System: Microsoft Windows XP / 2000 / VISTA

Linux:: RedHat 9.0 , Fedaro , Ubuntu , Suse , Debian

E、 LED Diagnostic Characteristics

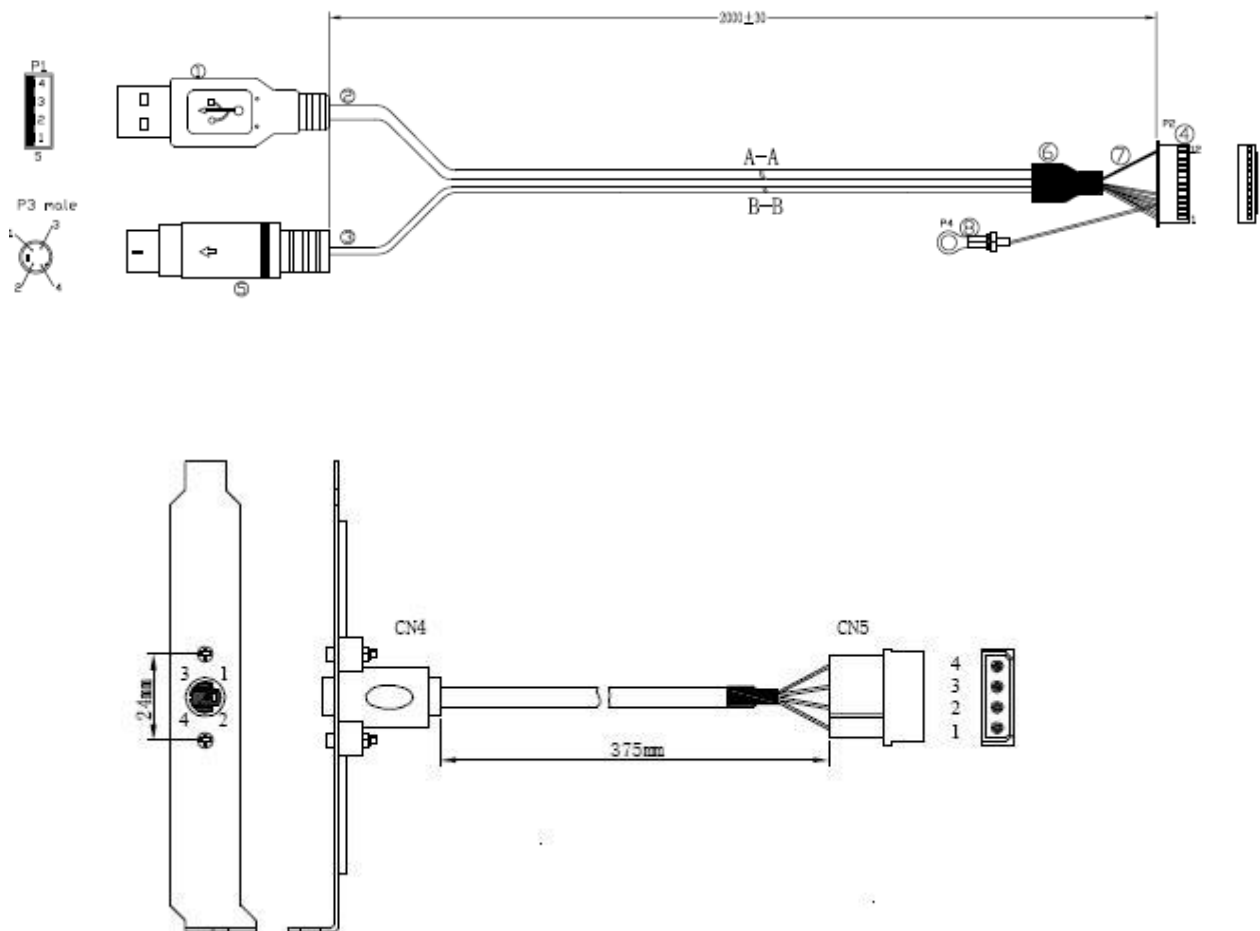
A green LED indicates controller status as follow:

LED blink frequency	Function
Once per second	Self-check on power
Once per two second	normal, no touch
Blink continuously	Touch status

F、 Definition of connector and pin

Power Communication Cable

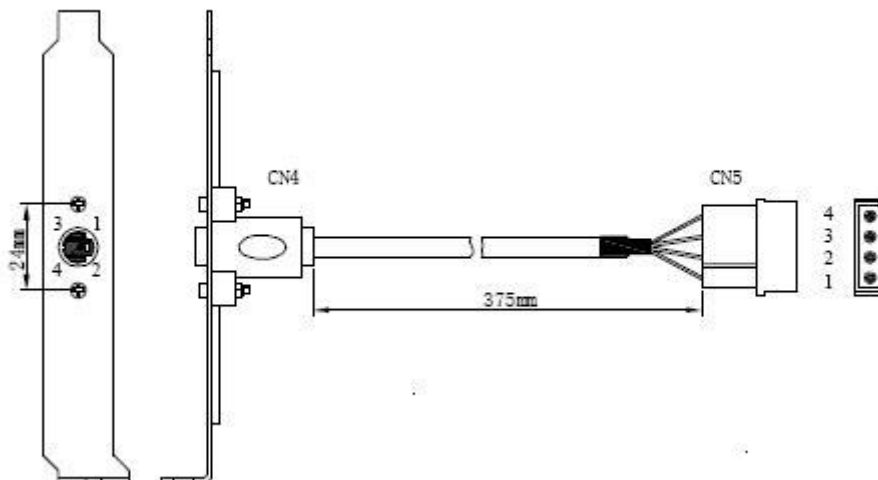
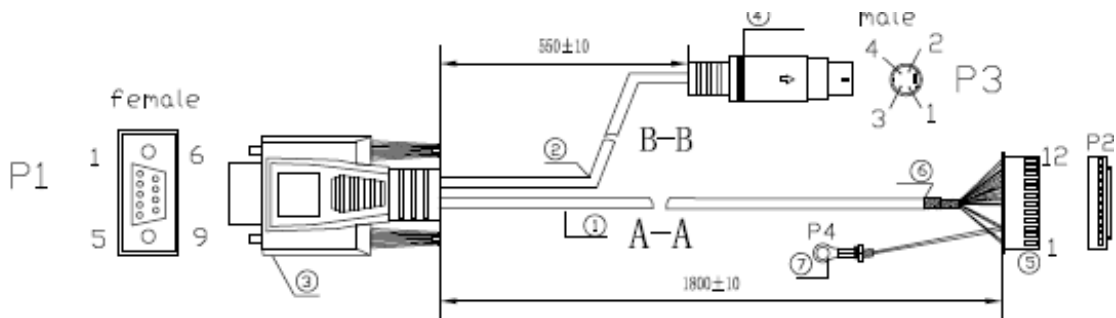
USB Cable:



P1	P2	P3	P4	colour
1	2			+5VDC red
2	4			D- white
3	5			D+ green
	3	2	1	GND black
4&5	12			GND naked copper
	1	1		+12VBus brown
	6			
	7			
	8			
	9			
	10			
	11			

P2 connecting to J1 of the control board, P1 connecting to USB of the PC; P1 is standard USB A Type, The interval of the P2 is 2.0mm

Serial Cable:



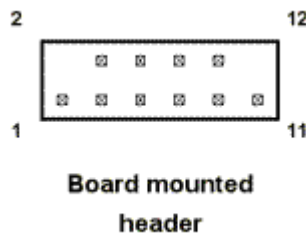
P1	P2	P3	P4	
	1	red +12VDC	1	VCC-power+12vDC
	2			
	3	green GND	2	GND-GND
	4			
	5			
8	6	yellow CTS		
2	7	orange RXD		
3	8	white TXD		
6	9	blue DSR		
4	10	black DTR		
7	11	brown RTS		
5	12	green GND		
1				
			3	
			4	

P2 connecting to J1 on the control board , P1 connecting to COM of the PC; P1 is standard DB9 male, a 12 header with pins on 2.0mm centers;

Touchscreen Connector(J2) and signal instructions

Touchscreen Connector J2 is a dual row by six position header with 0.635 mm square pins spaced on 2.54 centers for connection with touch panel.

Touchscreen Connector pin drawing, connecting orientation:



G、Certificate

FCC CE UL RoHS CB

H、Warranty

3-year limited warranty

I、Dimension drawing

